



Dorland Doors Ltd.

14425 - 18 Ave NW
Edmonton AB T5L 2M7

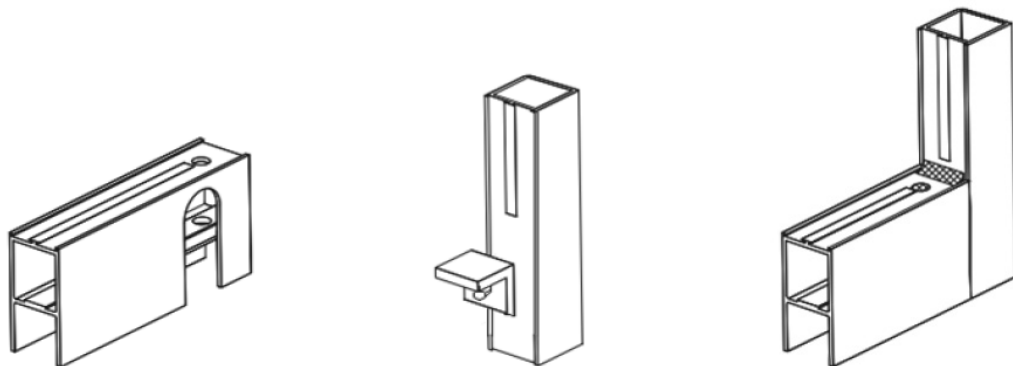
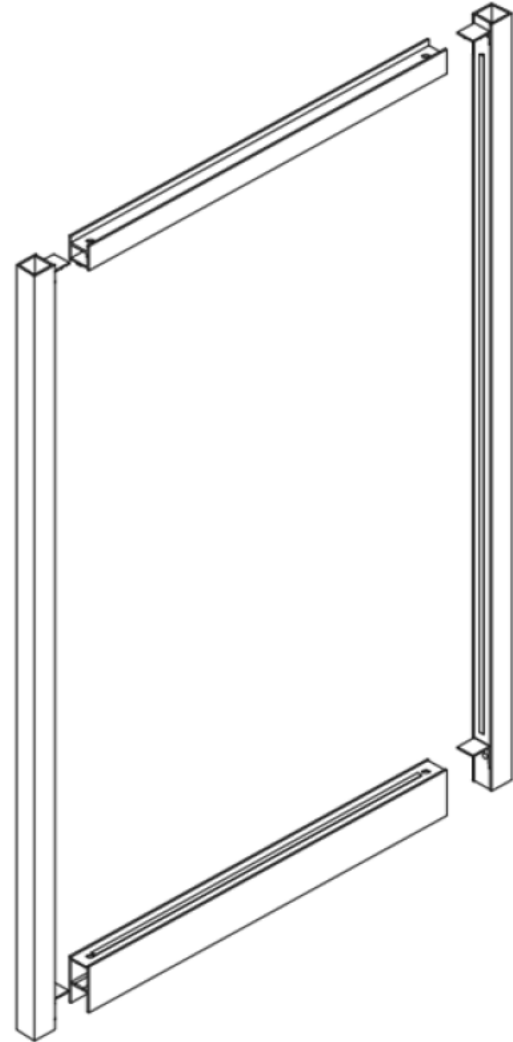
dorlanddoors.com

DORLAND 48 SERIES FABRICATION SHEET

The diagram below shows the standard door joint fabrication for all Dorland series doors

A 3/16" L angle is fastened through the inside portion of the stile. The angle is welded to the bottom rail inside the angle as well as outside the angle

The finished product allows for a solid corner joint suitable for moderate to heavy use





Dorland Doors Ltd.

14425 - 18 Ave NW
Edmonton AB T5L 2M7
dorlanddoors.com

DORLAND 48 SERIES SPEC SHEET

Standard 1 7/8" (48mm) Stiles complete with 2" (51mm) top rail and 3 3/4" (95mm) bottom rail.

Two different square glazing stops allow for 1/4" (6.4mm) or 3/4" (19mm) infill's

Custom sized top and bottom rails available

Door construction allows for strength, performance and accepts various hardware applications

Standard door hardware includes Adams Rite 1850 series maximum security lock, key cylinder, thumb turn, grade 1 Dorex 5404 closer, mohair sweep, extruded 5" threshold and Dorland standard push/pulls

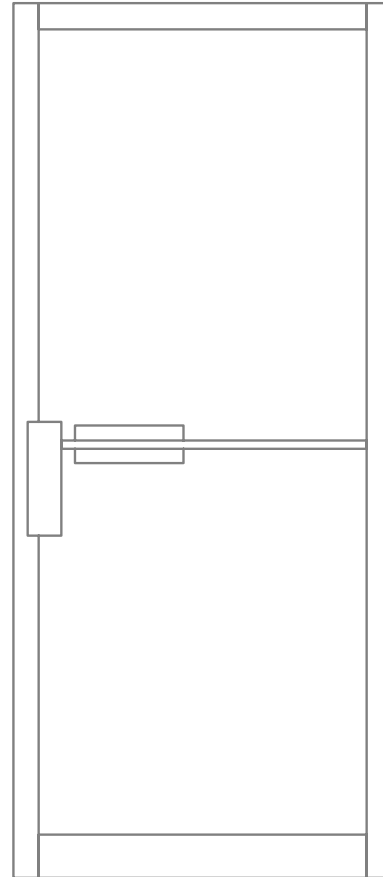
Aluminum Extrusions shall be T6063 T5 temper

Clear (AA-M12C22A31), bronze (AA-M12C22A34) anodized finishes standard, painted finish available

48 series doors are compatible with all Dorland Doors series framing

Dual corner fastening with mechanical clip 3/16" L angle, 1/4" hex bolt and nut along with welded inside and outside corners allows for rigid, long lasting joint support

All fasteners are corrosion-resistant and compatible materials are sufficient to pre-form to allow the system to achieve it's intended function



All glazing gasket to be extruded black, closed cell, tight sealing TPV and rubber combination

Doors shall be tested in framing systems before shipment

Doors to arrive glazed, hardware mounted and tested for functionality

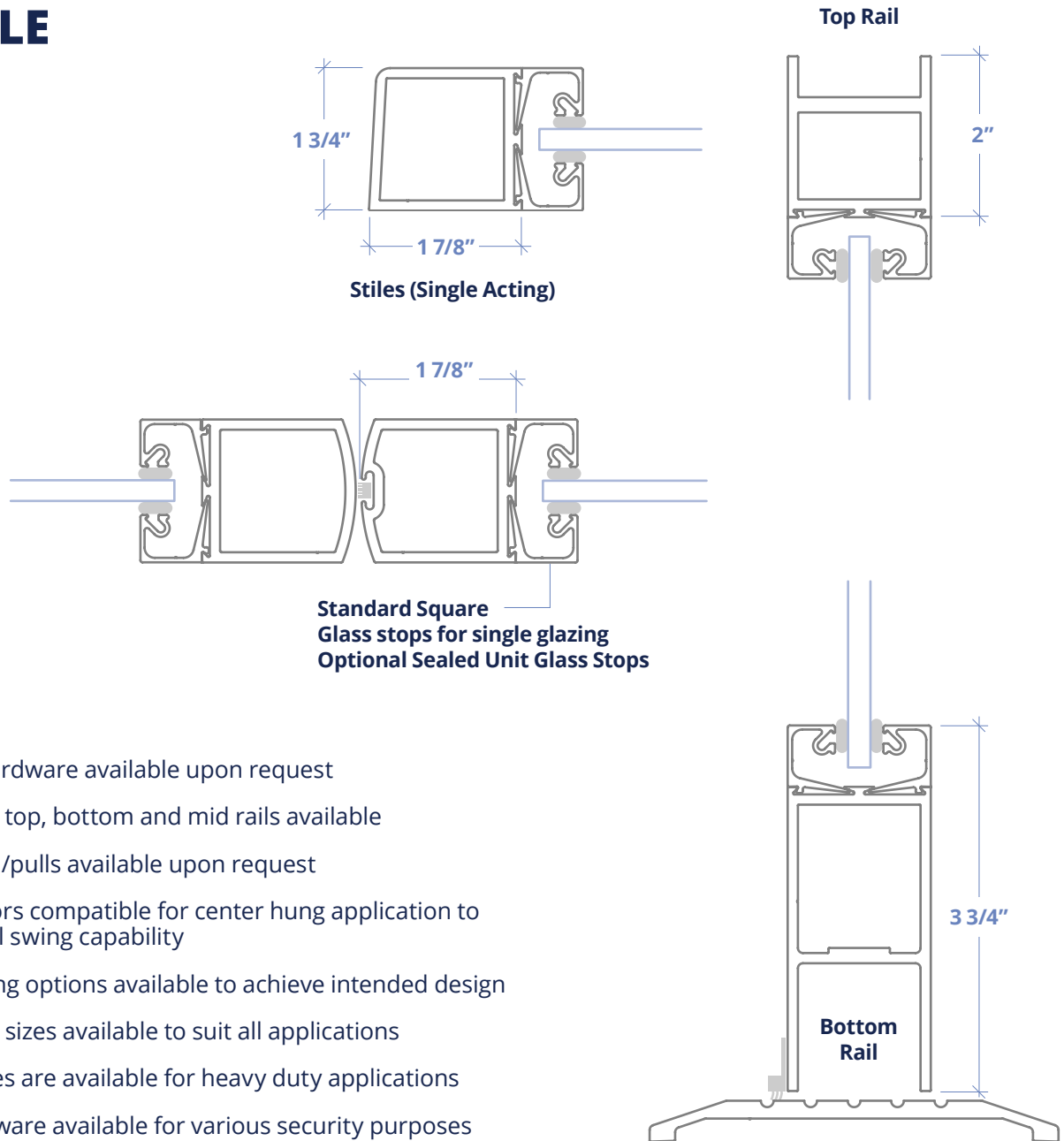
All items to be set level, plumb, and at the correct location and alignment to comply with other hardware



Dorland Doors Ltd.

14425 - 18 Ave NW
Edmonton AB T5L 2M7
dorlanddoors.com

DORLAND 48 SERIES DOOR PROFILE



Options

- Additional hardware available upon request
- Various sized top, bottom and mid rails available
- Custom push/pulls available upon request
- 48 series doors compatible for center hung application to allow for dual swing capability
- Various glazing options available to achieve intended design
- Custom door sizes available to suit all applications
- Various hinges are available for heavy duty applications
- Electric hardware available for various security purposes